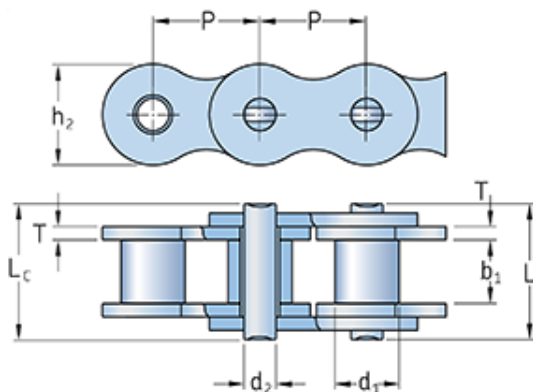


# PHC 12B-1X5MTR



Pitch P (mm)	19.05
Roller diameter d1 max (mm)	12.07
Width between inner plates b1 min (mm)	11.68
Pin diameter d2 max (mm)	5.72
Plate height h2 max (mm)	16
Plate thickness T max (mm)	1.85
Weight (kg/m)	1.15